

EP 1962

finite-state automaton for prediction

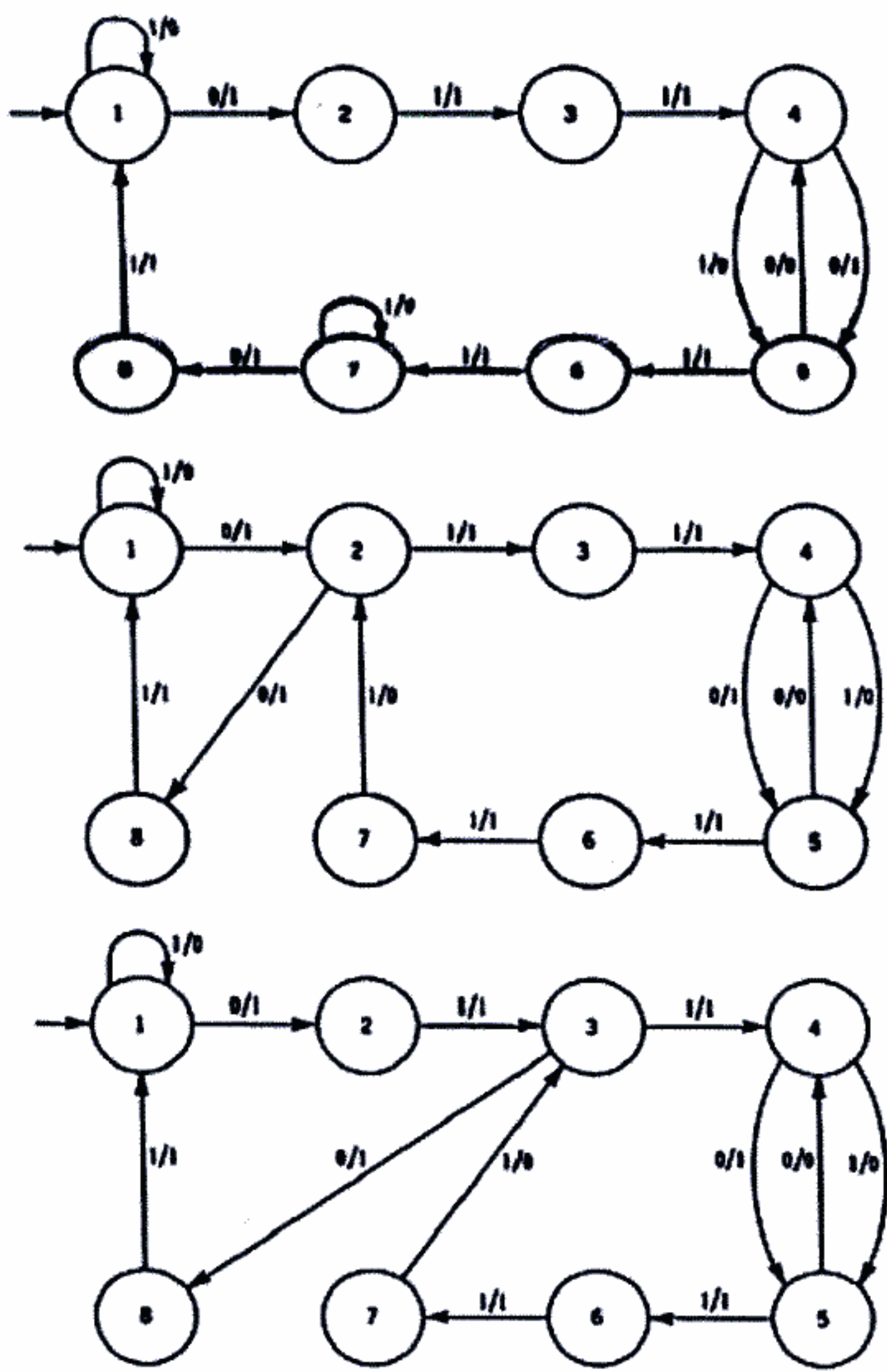


Fig. 3.4. Three different eight-state machines which perfectly predict 101110011101 cyclic environment.

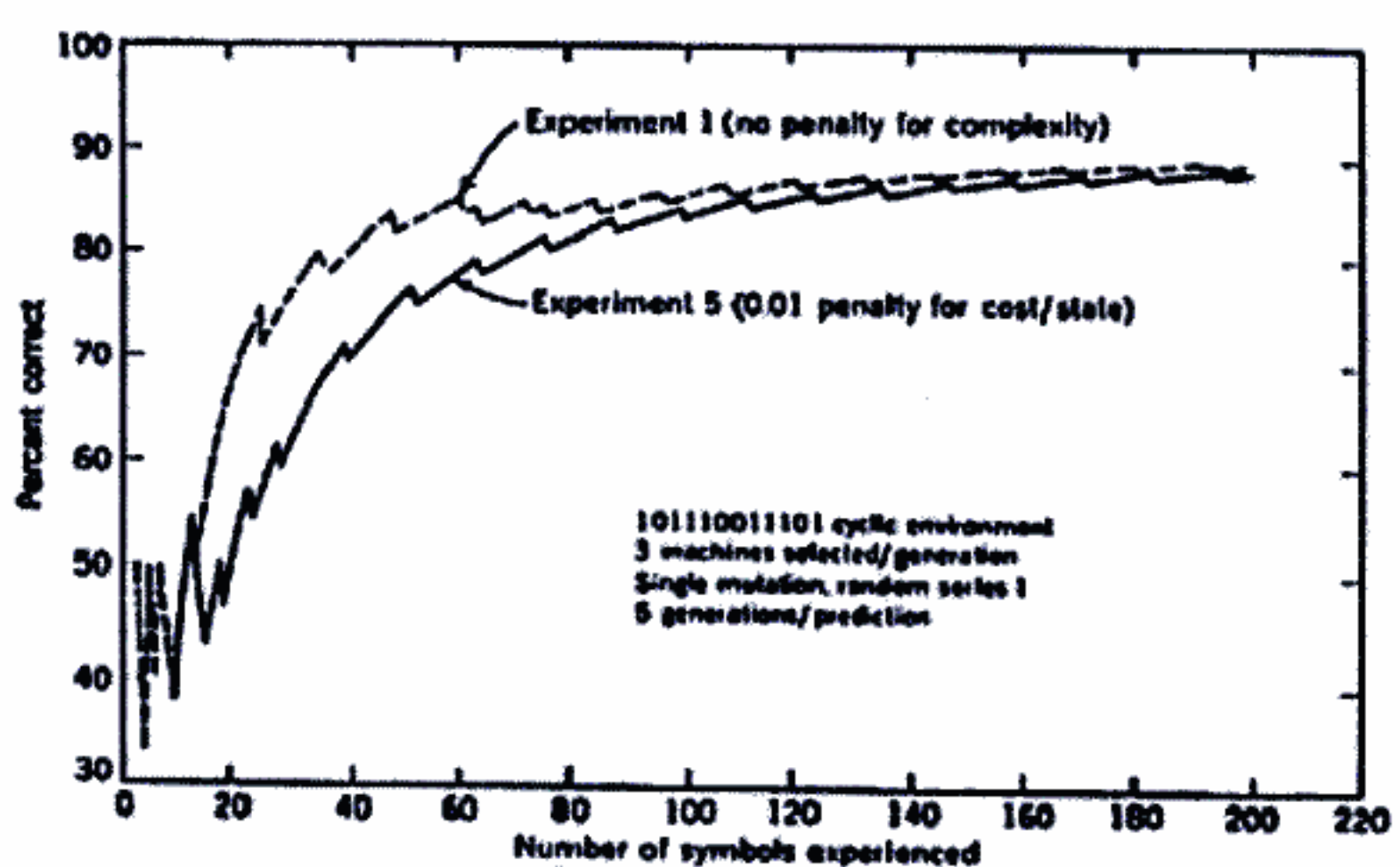


Fig. 3.2. A comparison of the prediction score with and without a penalty for complexity.